

## TANDEM



### DIMENSIONS

<b>LENGTH</b>	40' or 42'	<b>KING PIN</b>	24" Standard
<b>EXTERIOR WIDTH</b>	102" Standard; 96" Optional	<b>OVERALL HEIGHT</b>	127" w/ 68" Wall, 131" w/ 72" Wall, 135" w/ 76" Wall
<b>INTERIOR WIDTH</b>	98" Standard, 92" Optional	<b>SLOPES</b>	Minimum 30°
<b>WALL HEIGHT</b>	72" Standard, 68" or 76" Optional		

## TRI-AXLE



### DIMENSIONS

<b>LENGTH</b>	45'6" or 50'	<b>KING PIN</b>	15"
<b>EXTERIOR WIDTH</b>	102"	<b>OVERALL HEIGHT</b>	142" w/ 82" Wall, 144" w/ 84" Wall
<b>INTERIOR WIDTH</b>	98"	<b>SLOPES</b>	Minimum 30°
<b>WALL HEIGHT</b>	82" Standard, 84" Optional		

REFINED  
PERFORMANCE.



## BODY STRUCTURE

<b>COUPLER</b>	Holland 5th Wheel Standard; Other Options Available
<b>FRONT &amp; REAR WALLS</b>	Double Wall Construction, 1/16" Pre-Painted Aluminum Outside Skin, White or Black Colour Options c/w Access Ladders and Catwalk; Radius Corners; Other Options Available
<b>HOPPER CHUTES</b>	Standard Opening Size - 24" Long x 16" Wide; Stainless Chute Shafts; Roadside Opener Standard; 22 7/8" Clearance (w/ 11Rx24.5 Rubber); Other Options Available
<b>HOPPERS</b>	Two Hoppers per Trailer; Center Divider Wall; Two-Piece Hopper Design; Two Rows of Stiffeners On All Sides; Chute Frames Bolted to Bottom
<b>LANDING GEAR</b>	Jost Magnum Aluminum Landing Gear c/w 10" Cushion Foot; 10 Year Warranty
<b>LIGHTING</b>	Seven Wire Connector at Front; Truck-Lite LED Lighting Standard; Lifetime Warranty Lamps; Truck-Lite Wiring Harness; Other Options Available
<b>MUD FLAPS</b>	1/2" Rubber Anti-Sail Rear Flaps Standard; Other Options Available
<b>PAINT</b>	Applies to Steel Upper Coupler and Suspension Frame; Three-Stage Paint Process Consisting of a Coating of Zinc, Urethane Primer and Top Coat (applicable to steel sub-assemblies)
<b>SIDE WALLS</b>	Double Wall Construction, 1/16" Pre-Painted Aluminum Outside Skin, White or Black Colour Options; Inside Finished; Walls Vented; Other Options Available
<b>SLOPES</b>	Aluminum Slope Sheets - No Less than 30°
<b>TARPS &amp; TARP SUPPORTS</b>	Shur-Lok Roll Tarp; Aluminum Roof Bows; Aluminum End Caps; Remote Openers; Other Options Available

## DISTINCTION

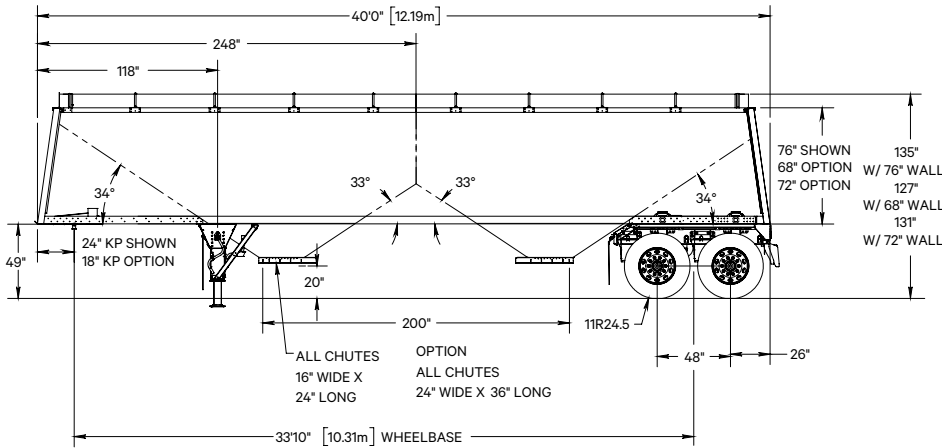
## RUNNING GEAR

<b>AXLES</b>	Hendrickson INTRAAX 0.31" Wall, 5 3/4" Round, 77 1/2" Track, HN Spindle; Other Options Available
<b>SUSPENSION FRAME</b>	Steel Frame Standard; Aluminum Frame Optional
<b>BRAKE SYSTEM</b>	Air Drum Brake Standard; HXS-H23 Extended Service Linings Standard; Haldex 30/30 Gold Seal; Haldex S-ABA Slack; 28 Spline Standard; Meritor Wabco ABS Equipped; Other Options Available
<b>FENDERS</b>	Prestige Trailers Aluminum Flat Fenders; Other Options Available
<b>HUBS</b>	10 Stud HP Cast Hub/Cast Drum Standard; Other Options Available
<b>SUSPENSION</b>	Hendrickson INTRAAX AANT23K LDA Air Ride Standard; Air Gauge Mounted in an Aluminum Box c/w Window and Light. Other Options Available.
<b>TIRES</b>	Michelin/BF Goodrich Standard; Other Options Available
<b>WHEEL SEALS</b>	National
<b>WHEELS</b>	22.5" Standard; Other Options Available

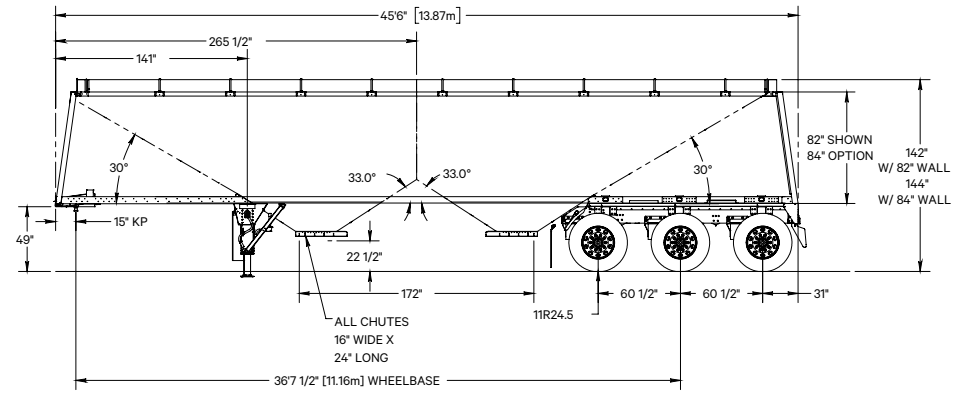
# DISTINCTION



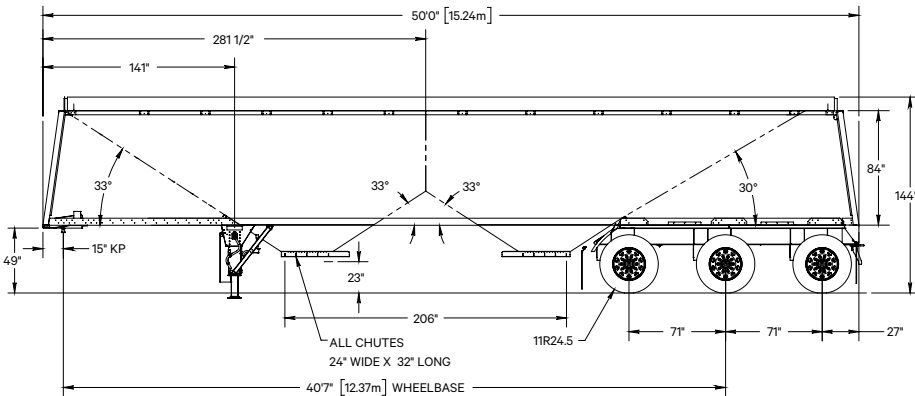
## 40' TANDEM



## 45'6" TRI-AXLE



## 50' TRI-AXLE



—  
**AT THE TOP OF  
 ITS CLASS.**

